

Receiver

 Society
 Reference
 Address
 Phone
 Fax
 E-mail

From

 -
 -
 -

Item n° :

60179861

Model :

K 36/100 T IE3

Pump data

 MEI \geq 0,70

Pressure rating : 6 bar (600 kPa)

Min. fluid temperature : -10 °C

Max. fluid temperature : 50 °C

Max. Ambient temperature : 40 °C

Requested data

Flow : 0.00 l/min

Head : 0.00 m

Fluid : Water

Fluid Temperature : 20 °C

 Density : 62.315 lb/ft³

 Kinematic viscosity : 1.0769E-5 ft²/s

Vapor pressure : 2.20 kPa

Hydraulic data (duty point)

Flow :

Head :

NPSH :

Shaft power P2 :

Efficiency :

Materials

Pump body Cast iron 200 UNI ISO 185

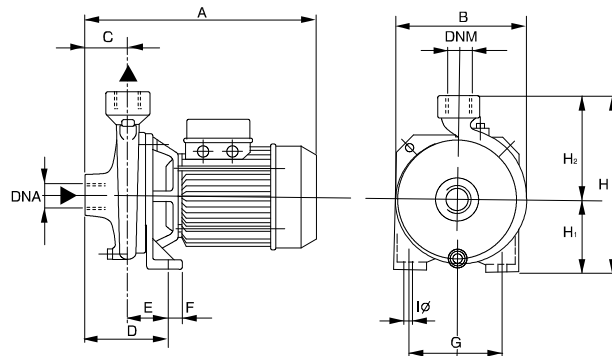
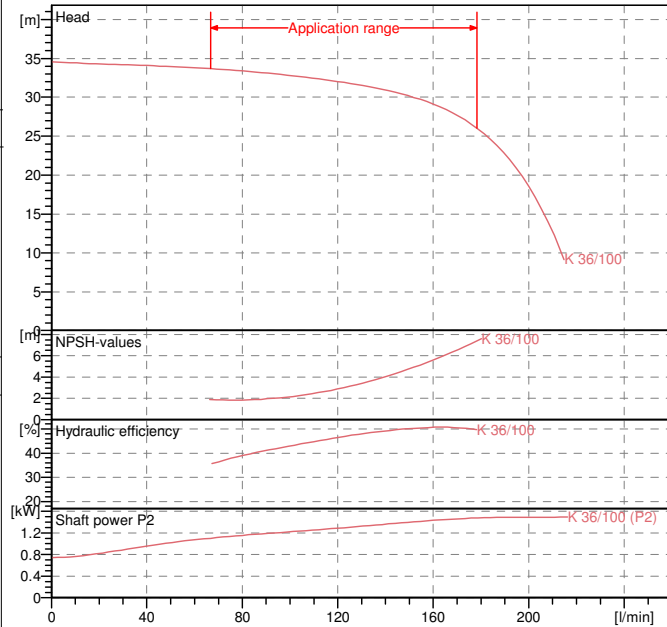
Support Cast iron 200 UNI ISO 185

Impeller Technopolymer A

Mechanical seal Carbon/Ceramic

OR ring NBR Rubber

Shaft with rotor AISI 303 X10 CrNiS 1809 UNI 6900/71

Curve tolerance according to ISO 9906

Weight : 51.367 lb

Motor data

Motor brand : DAB

Nominal power P2 : 1.85 kW

Rated speed : 2870 rpm

Rated voltage : 3~ 230 V / 400 V 50 Hz

Nominal current : 6.9 / 4 A

Degree of protection : IP 44

Dimensions in mm

A	333	IØ	9
B	200		
C	50		
D	114		
DNA	1" 1/2 G		
DNM	1" G		
E	64		
F	15		
G	140		
H	255		
H1	105		
H2	150		

Pump connection

Suction side : 1" 1/2 G / 6 bar (600 kPa)

Discharge side : 1" G / 6 bar (600 kPa)



PERFORMANCE CURVES

13-07-2020

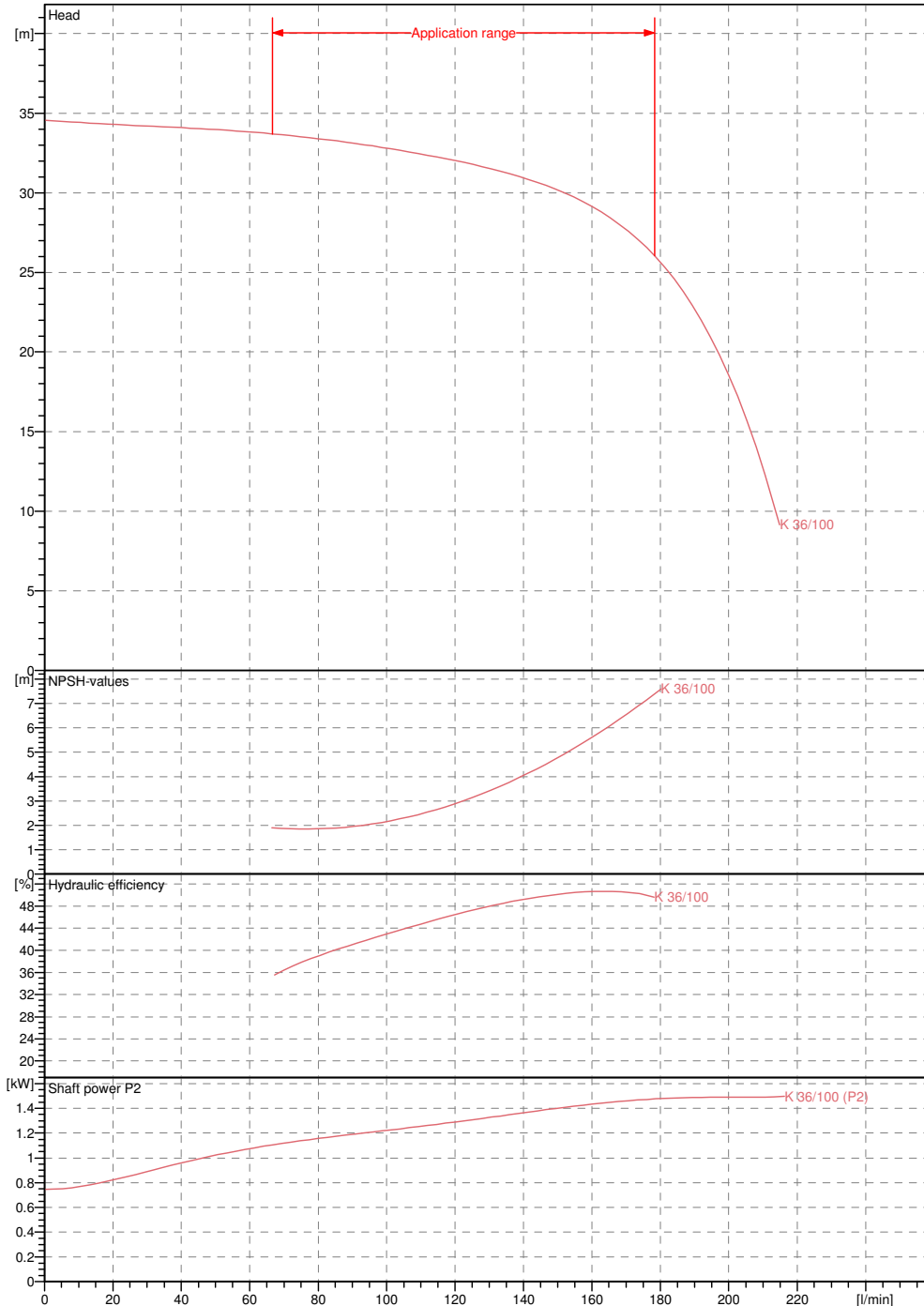
Page 4 / 8

DAB PUMPS S.p.A.
Via Marco Polo, 14 - 35035 Mestrino (PD), Italy
Tel. +39 049 5125000 - Fax +39 049 5125950
www.dabpumps.com

	Receiver	From
Society		-
Reference		-
Address		-
Phone		
Fax		
E-mail		

K 36/100 T IE3

Curve tolerance according to ISO 9906



Hydraulic data (duty point)

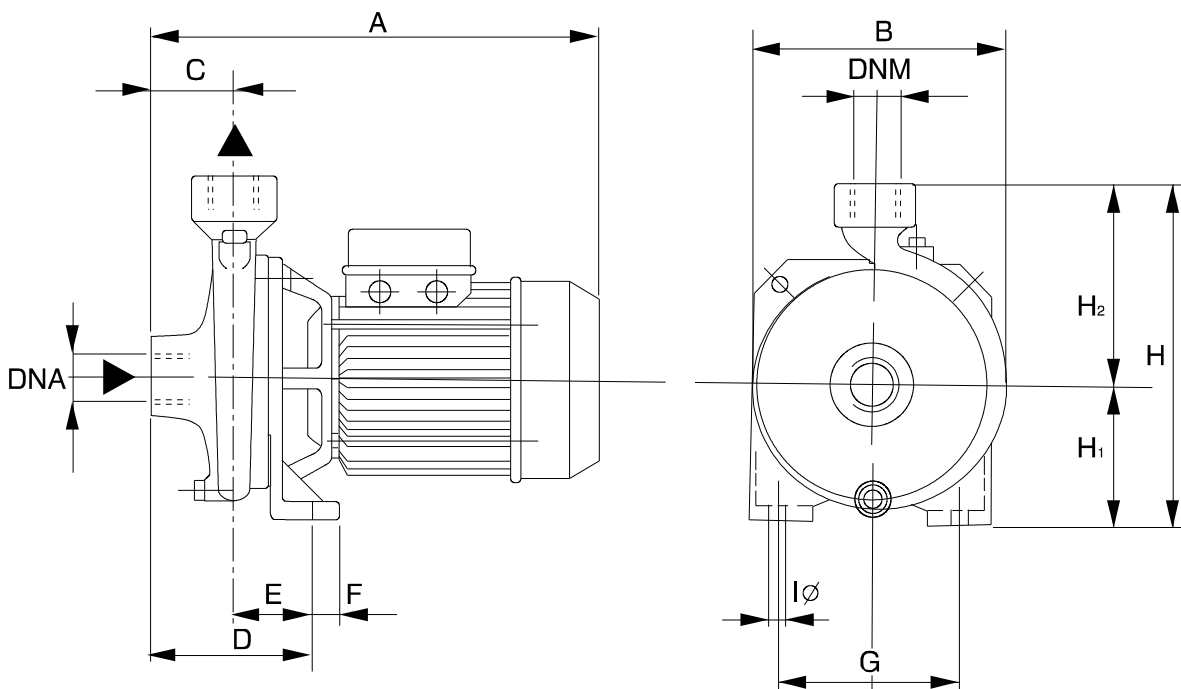
Suction side : 1 " 1/2 G 6 bar (600 kPa)	Discharge side : 1 " G 6 bar (600 kPa)	Flow : 0 l/min	Head : 0 m	Rated speed : 2870 rpm
Project	Project ID	Created by	Created on 13-07-2020	

Receiver

From

Society
 Reference
 Address
 Phone
 Fax
 E-mail

K 36/100 T IE3


Dimensions in mm

1	A	333	H1	105		
2	B	200	H2	150		
3	C	50	IØ	9		
4	D	114				
5	DNA	1" 1/2 G				
6	DNM	1" G				
7	E	64				
8	F	15				
9	G	140				
10	H	255				

Pump connection

Suction
 1" 1/2 G
 6 bar (600 kPa)

Discharge
 1" G
 6 bar (600 kPa)

Project

Project ID

Created by

Created on

13-07-2020

Receiver

 Society
 Reference
 Address
 Phone
 Fax
 E-mail

From

 -
 -
 -

Item n° :

60145837

Model :

K 36/100 T IE2

Pump data

MEI ≥ 0,70

Pressure rating : 6 bar (600 kPa)

Min. fluid temperature : -10 °C

Max. fluid temperature : 50 °C

Max. Ambient temperature : 40 °C

Requested data

Flow : 0.00 l/min

Head : 0.00 m

Fluid : Water

Fluid Temperature : 20 °C

Density : 62.315 lb/ft³

Kinematic viscosity : 1.0769E-5 ft²/s

Vapor pressure : 2.20 kPa

Hydraulic data (duty point)

Flow :

Head :

NPSH :

Shaft power P2 :

Efficiency :

Materials

Pump body Cast iron 200 UNI ISO 185

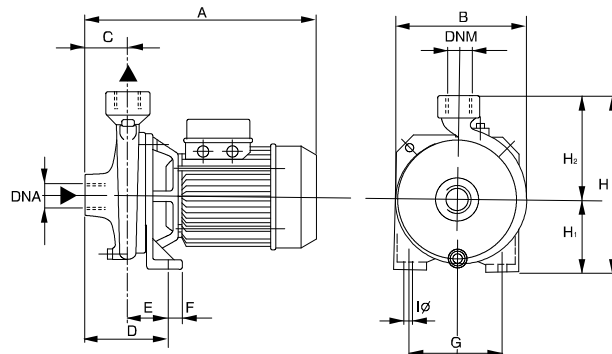
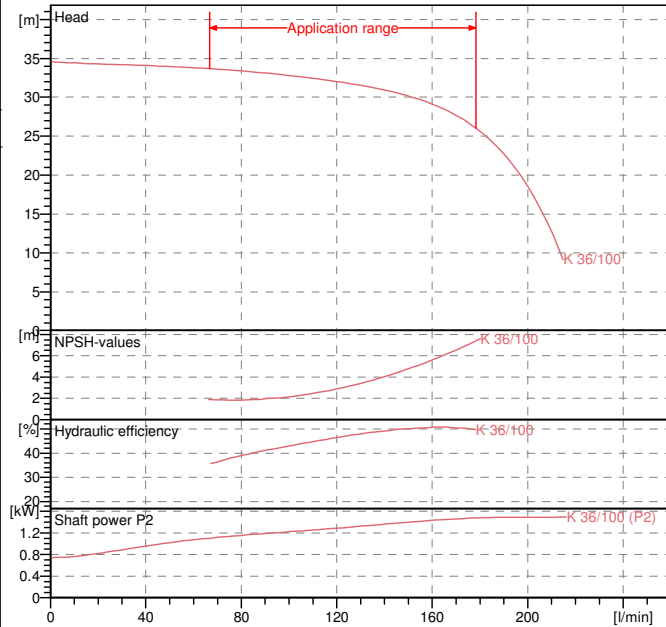
Support Cast iron 200 UNI ISO 185

Impeller Technopolymer A

Mechanical seal Carbon/Ceramic

OR ring NBR Rubber

Shaft with rotor AISI 303 X10 CrNiS 1809 UNI 6900/71

Curve tolerance according to ISO 9906

Weight : 51.367 lb

Motor data

Motor brand : DAB

Nominal power P2 : 1.85 kW

Rated speed : 2860 rpm

Rated voltage : 3~ 230 V / 400 V 50 Hz

Nominal current : 6.9 / 3.9 A

Degree of protection : IP 44

Dimensions in mm

A	333	IØ	9
B	200		
C	50		
D	114		
DNA	1" 1/2 G		
DNM	1" G		
E	64		
F	15		
G	140		
H	255		
H1	105		
H2	150		

Pump connection

Suction side : 1" 1/2 G / 6 bar (600 kPa)

Discharge side : 1" G / 6 bar (600 kPa)



PERFORMANCE CURVES

13-07-2020

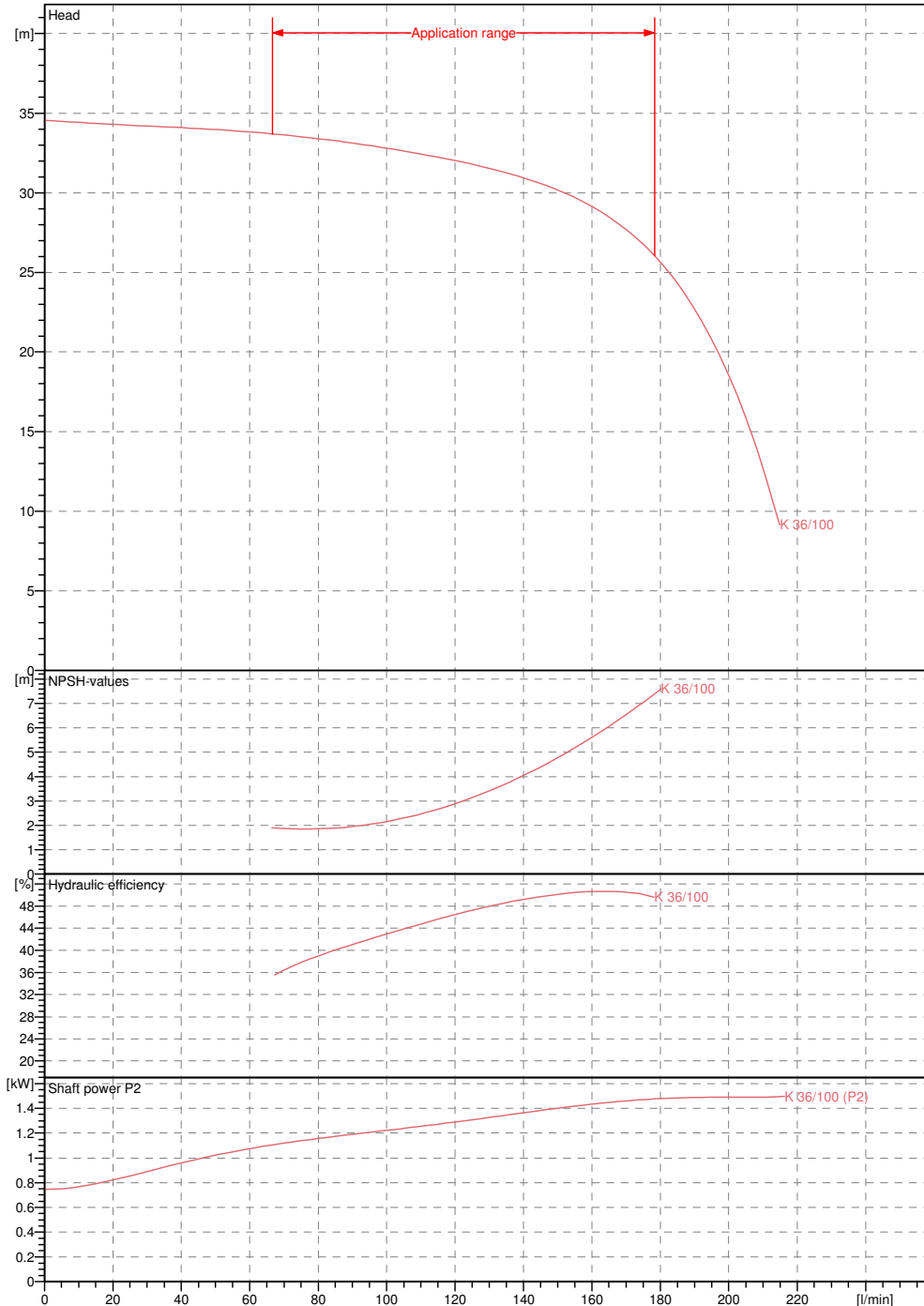
Page 7 / 8

DAB PUMPS S.p.A.
Via Marco Polo, 14 - 35035 Mestrino (PD), Italy
Tel. +39 049 5125000 - Fax +39 049 5125950
www.dabpumps.com

	Receiver	From
Society		-
Reference		-
Address		-
Phone		
Fax		
E-mail		

K 36/100 T IE2

Curve tolerance according to ISO 9906



Hydraulic data (duty point)

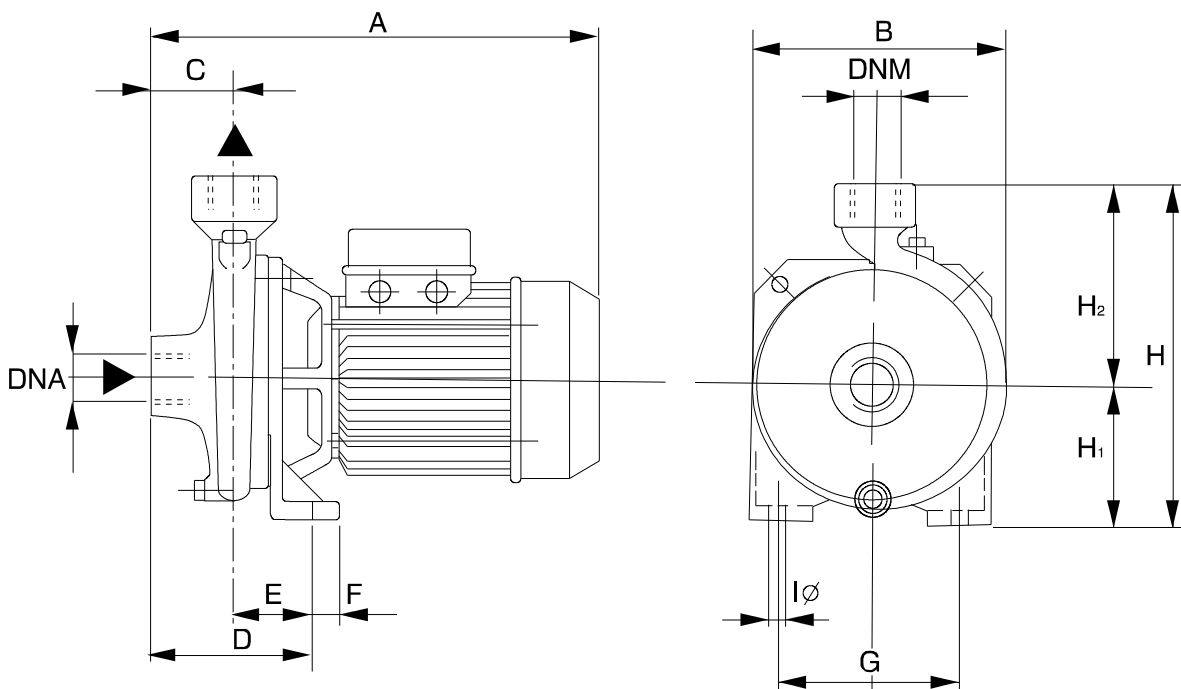
Suction side : 1 " 1/2 G 6 bar (600 kPa)	Discharge side : 1 " G 6 bar (600 kPa)	Flow : 0 l/min	Head : 0 m	Rated speed : 2860 rpm
Project	Project ID	Created by	Created on 13-07-2020	

Receiver

From

Society
 Reference
 Address
 Phone
 Fax
 E-mail

K 36/100 T IE2


Dimensions in mm

1	A	333	H1	105		
2	B	200	H2	150		
3	C	50	IØ	9		
4	D	114				
5	DNA	1" 1/2 G				
6	DNM	1" G				
7	E	64				
8	F	15				
9	G	140				
10	H	255				

Pump connection

Suction
 1" 1/2 G
 6 bar (600 kPa)

Discharge
 1" G
 6 bar (600 kPa)

Project

Project ID

Created by

Created on

13-07-2020